

FILTRABOX



PREMIUM ENGINEERED FUME EXTRACTORS

COMPACT^X_{DTF}

PRODUCE QUALITY DTF TRANSFERS FOR GARMENTS AND OTHER SUBSTRATES IN A CLEAN AIR ENVIRONMENT

REINFORCED LIQUID FILTERS
PROTECTED ELECTRONICS
LARGE LIQUID RESERVOIR
ULTRA-SLIM

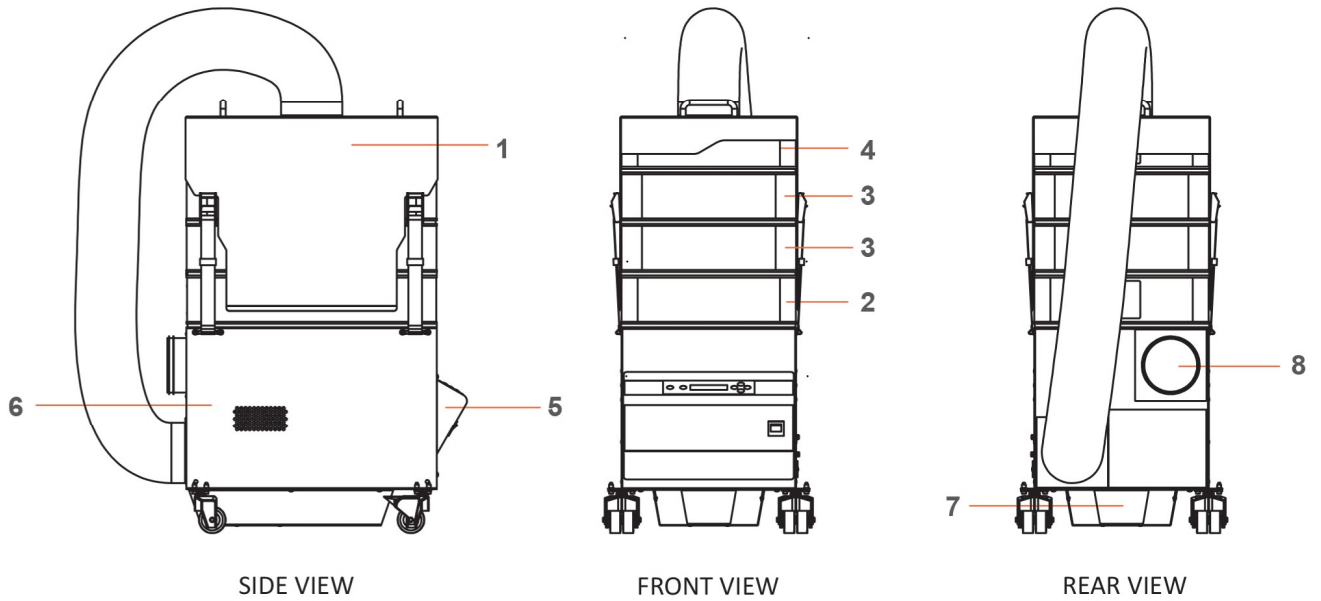


Distributed by

DTG
PRO

Specifications

Compact X DTF



Technical Specification		
Quiet Operation	57 dB	
Max. Airflow	235 CFM	
Height	35 in.	
Width	15 in.	
Depth	29 in.	
Warranty	1 year	
Included Filters		
Type	Material	Total Media
1 Foam Pre-Filter	Washable Foam	13.25 L
2 Hydrophic HEPA	Hydrophobic Polymer (Pleated)	12 m ²
1 Chemical Cartridge Filter	Pelletized Carbon	14 lbs.
Electrical		
Volts	230/120 V	
Frequency	50-60 Hz	
Rated Amps	6/12 A	

Contact us for details on hose kits.

Legend

- 1) Lid Module
- 2) Pre-Filter Cartridge
- 3) HEPA Filter Cartridges
- 4) Carbon Filter Cartridge
- 5) Electronics Module
- 6) Blower Module/Liquid Reservoir
- 7) Exhaust Outlet
- 8) Inlet Spigot

Distributed by



www.dtgpro.com | 626.377.4189